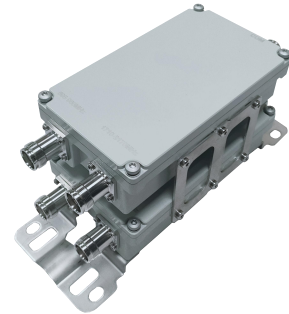


**Diplexer698-960/1710-2170MHz**



**Specifications:**

**Electrical Specifications**

|                     |   |                     |
|---------------------|---|---------------------|
| Model No.           | HT-DIP-0721-43 / HT-DIP-0721-43-DS              |                     |
| Frequency range     | Port1:698-960 MHz                               | Port2:1710-2170 MHz |
| Insertion loss      | <0.3 dB   |                     |
| Return loss         | ≤-20 dB   |                     |
| Isolation           | ≥80 dB  |                     |
| Impedance           | 50 Ω  |                     |
| Input power         | 300 W(avg.)                                     |                     |
| Intermodulation     | -155 dBc @ 2 x 43 dBm                           |                     |
| DC/AISG             | DC Path thru each port to Ant. Rated at 3A Max. |                     |
| Lighting Protection | 3KA; 10/350us pulse                             |                     |

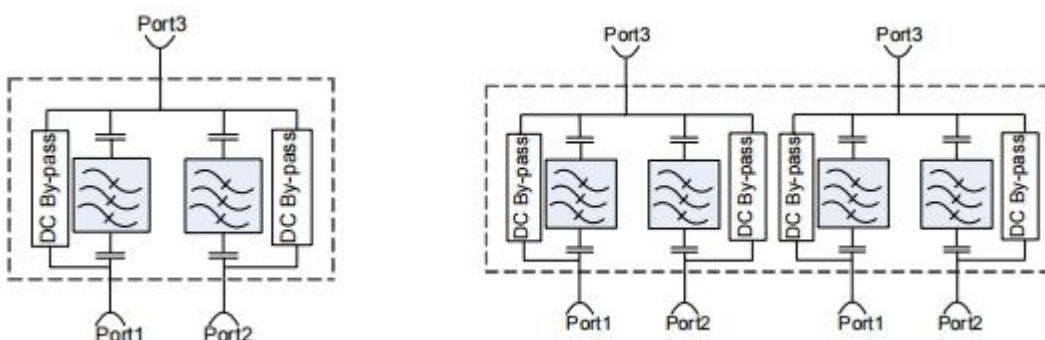
**Environment Specification**

|                       |                  |
|-----------------------|------------------|
| Operating temperature | -40 °C to +60 °C |
| Storage temperature   | -35 °C to +75 °C |
| Relative humidity     | 5% - 95%         |
| Application           | IP66             |

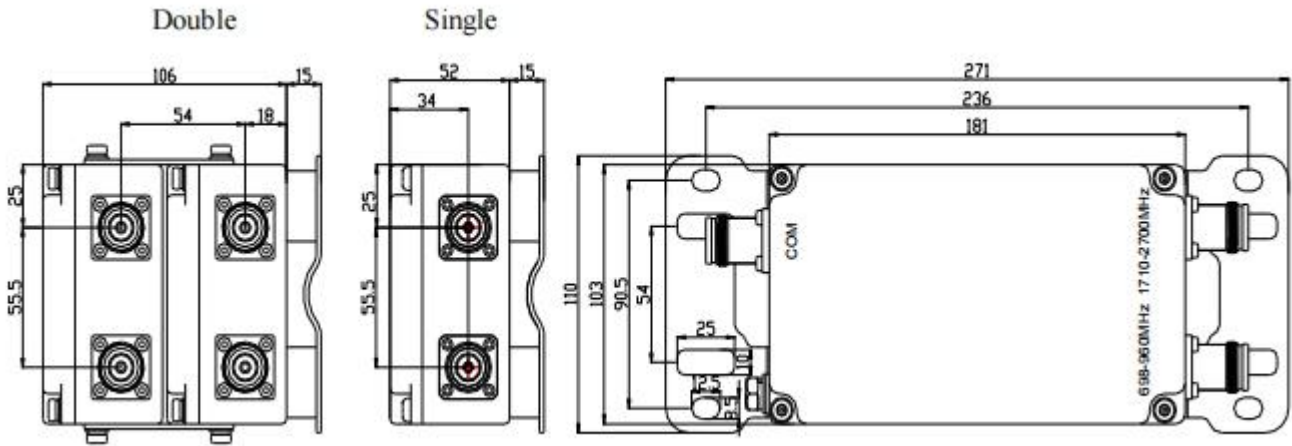
**Mechanical Specifications**

|            |  |
|------------|--|
| Connectors | 4.3/10-Female                                      |
| Weight     | <b>1.42 Kg(Single unit) 2.90Kg ( Double unit )</b> |
| DIM(L*W*H) | 181*103*52 mm/(181*103* 106 mm. max)               |
| Packing    | 1 pc /box  |

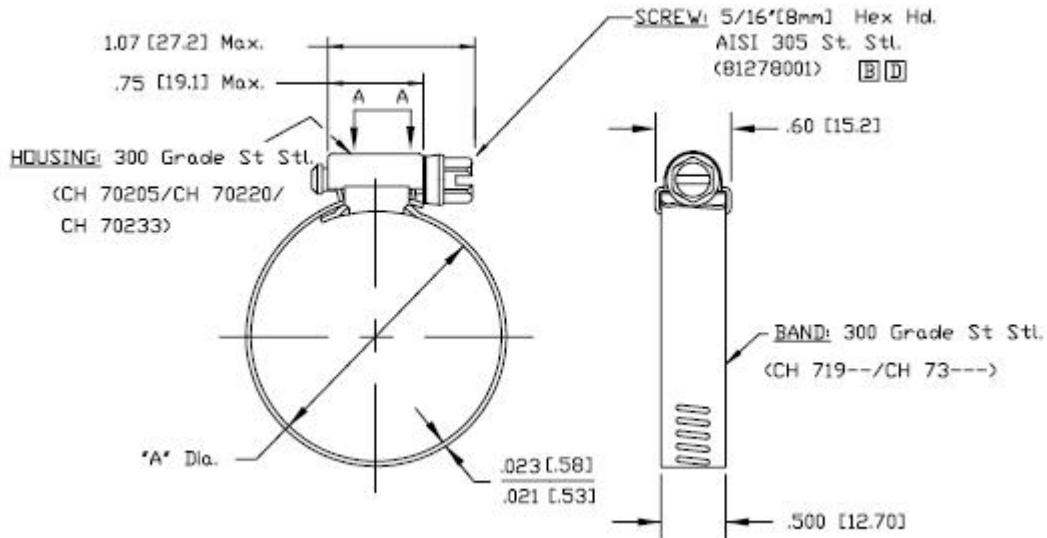
**Schematic Diagram & Product Picture:**



Outline drawing:



Clamp Set



“A” Dia :64mm(min)-114mm(max)